

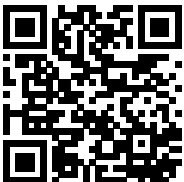
Shark[®]

EVERYMESS

Wet + Dry + Stain

VX110 Series

OWNER'S GUIDE



Scan QR code to view
HOW-TO VIDEOS

IMPORTANT SAFETY INSTRUCTIONS

FOR HOUSEHOLD USE ONLY

⚠ WARNING

To reduce the risk of fire, electric shock, injury, or property damage, when using an electrical appliance, basic precautions should always be followed, including the following:

ELECTRICAL & POWER SAFETY

1. Inspect power cord and plug for any damage before use. **DO NOT** use vacuum cleaner with a damaged cord or plug. Turn off all controls before plugging in or unplugging the vacuum cleaner. To minimize the risk of power cord damage, store your vacuum cleaner with the power cord secured around the handle.
2. **DO NOT** handle the plug or vacuum with wet hands.
3. The use of an extension cord is **NOT** recommended.
4. This appliance has a polarized plug. If the plug does not fit fully into the outlet, reverse the plug (one blade is wider than the other). If it still does not fit, contact a qualified electrician. **DO NOT** force into outlet or try to modify to fit.
5. **DO NOT** damage the charging cord:
 - a) **DO NOT** pull or carry vacuum cleaner by the cord or use the cord as a handle.
 - b) **DO NOT** unplug by pulling on cord. Grasp the plug, not the cord.
 - c) **DO NOT** run vacuum over the cord, close a door on the cord, pull the cord around sharp corners, or leave the cord near heated surfaces.
6. Turn off all controls before unplugging the vacuum.
7. Unplug from electrical outlet when not in use and before any maintenance or cleaning.
8. **DO NOT** immerse the product in water.
9. To reduce the risk of electrical shock, use indoors only.
10. To reduce the risk of electric shock, always install the debris screen before any wet pickup operation.
11. This appliance is provided with double insulation. Use only identical replacement parts. See instructions for Servicing of Double-Insulated Appliances.

GENERAL USE & MAINTENANCE

12. Carefully observe and follow the instructions provided below to avoid improper use of the appliance. **DO NOT** use the vacuum for any purpose other than those described in this manual.
13. Before use, carefully inspect all parts for any damage. **DO NOT** use if any parts are damaged.
14. **DO NOT** use if vacuum cleaner is not working as it should, or has been dropped, damaged, left outdoors, or dropped into water.
15. Use only identical replacement parts.
16. Only use Shark® branded filters and accessories.
17. **DO NOT** modify or attempt to repair the vacuum yourself. **DO NOT** use the vacuum if it has been modified or damaged.
18. Your vacuum cleaner consists of a vacuum pod. This device contains electrical connections, electrical wiring, and moving parts that potentially present a risk to the user. **DO NOT** use when damaged.
19. This vacuum cleaner contains no serviceable parts.
20. Always turn off the vacuum cleaner before connecting or disconnecting the hose or opening and closing the lid.
21. Make sure the dust cup, debris screen, and all filters are in place before plugging in and turning on the unit.
22. **DO NOT** use without filters in place.
23. Make sure the dust cup and all filters are in place after routine maintenance.
24. **DO NOT** leave appliance when plugged in. Unplug from outlet when not in use and before servicing.
25. **DO NOT** leave the vacuum cleaner unattended while plugged in.
26. Store indoors. **DO NOT** expose to rain.
27. **DO NOT** place vacuum cleaner on unstable surfaces such as chairs or tables.

28. Secure the hose around the unit lid and power cord around the handle during storage.
29. Use extra care when cleaning on stairs.

CHILDREN & PETS SAFETY

30. This appliance can be used by persons with reduced physical, sensory, or mental capabilities or lack of experience and knowledge if they have been given supervision or instruction concerning use of the appliance in a safe way and understand the hazards involved.
31. Cleaning and user maintenance shall not be made by children.
32. Keep the appliance and its cord out of reach of children.
33. **DO NOT** allow the appliance to be used by children. **DO NOT** allow to be used as a toy. Close supervision is necessary when used near children.
34. **DO NOT** use near pets or in occupied pet enclosures.
35. Allow all treated surfaces to dry completely before reintroducing pets.
36. Any treated surface should be allowed to dry completely, and ventilate areas as needed before allowing pets access to the treated areas.

FIRE, CHEMICAL & MATERIAL SAFETY

37. **DO NOT** use to pick up:
 - a) Large quantities of dust (e.g., drywall dust, fireplace ash, or embers). **DO NOT** use as an attachment to power tools for dust collection.
 - b) Smoking or burning objects (e.g., hot coals, cigarette butts, or matches).
 - c) Flammable or combustible materials (e.g., lighter fluid, gasoline, or kerosene).
 - d) Toxic materials (e.g., chlorine bleach, ammonia, or drain cleaner).
38. To reduce the risk of fire, **DO NOT** use a flammable or combustible liquid to clean a floor.
39. **DO NOT** spray solution on your skin or in your eyes.
40. **DO NOT** use in the following areas:
 - a) Poorly lit areas.
 - b) Spaces that are enclosed and may contain explosive or toxic fumes or vapors (lighter fluid, gasoline, kerosene, paint, paint thinners,

mothproofing substances, or flammable dust).

CLEANING & MAINTENANCE

41. Hand wash components with warm soapy water. Washing with harsh cleaning chemicals could damage the unit.
42. Allow all filters to air-dry completely before replacing in the vacuum to prevent liquid from being drawn into electric parts.
43. Before cleaning a surface with the cleaning solution, check the manufacturer's tag. **DO NOT** clean delicate rugs (including wool, cotton, silk, antique, or area rugs) unless they have a manufacturer's tag. If the manufacturer's tag says S or "Dry Clean Only", **DO NOT** clean that surface. If the tag says W or WS, you **CAN** use SHARK Cleaning Solution on that surface.

OPERATION & AIRFLOW SAFETY

44. **DO NOT** put any objects into end of the hose or accessory openings. **DO NOT** use with any opening blocked; keep free of dust, lint, hair, and anything that may reduce airflow.
45. **DO NOT** use if the hose or accessory airflow is restricted. If the air paths become blocked, turn the vacuum cleaner off and unplug from electrical
46. Keep all vacuum openings away from hair, face, fingers, uncovered feet, or loose clothing.
47. When using on any surface, always keep the end of the hose or accessory moving to avoid damaging the surface (e.g., carpet fibers).

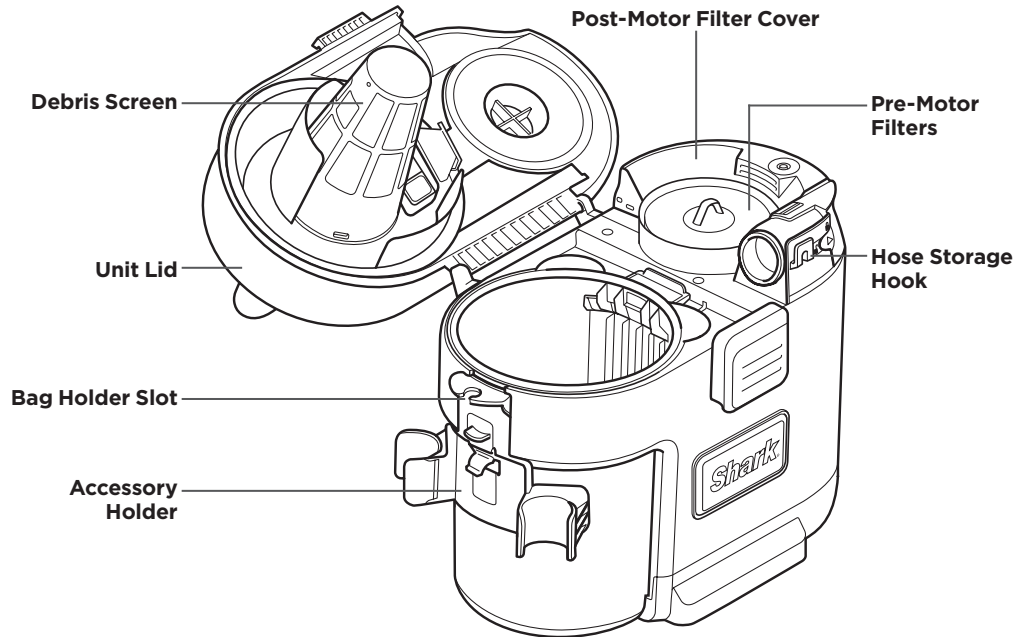
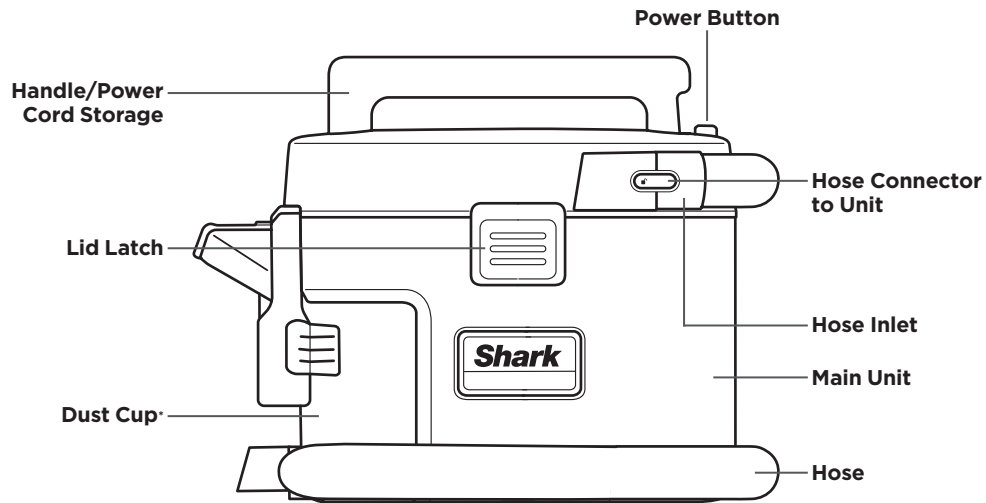
SERVICING OF DOUBLE-INSULATED APPLIANCES

A double-insulated appliance is marked with one or more of the following: The words "DOUBLE INSULATION" or "DOUBLE INSULATED."

In a double-insulated appliance, two systems of insulation are provided instead of grounding. No grounding means is provided on a double-insulated appliance, nor should a means for grounding be added to the appliance. Servicing a double-insulated appliance requires extreme care and knowledge of the system, and should be done only by qualified service personnel. Replacement parts for a double-insulated appliance must be identical to the parts they replace.

SAVE THESE INSTRUCTIONS

GETTING TO KNOW THE EVERYMESS

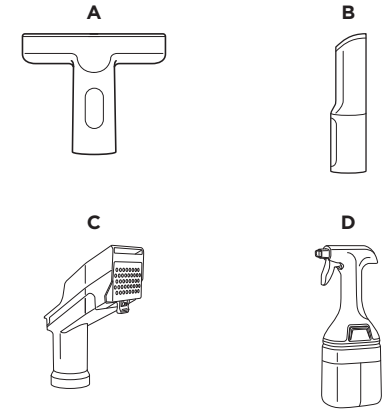


NOTE: *DISHWASHER SAFE.

AVAILABLE ACCESSORIES

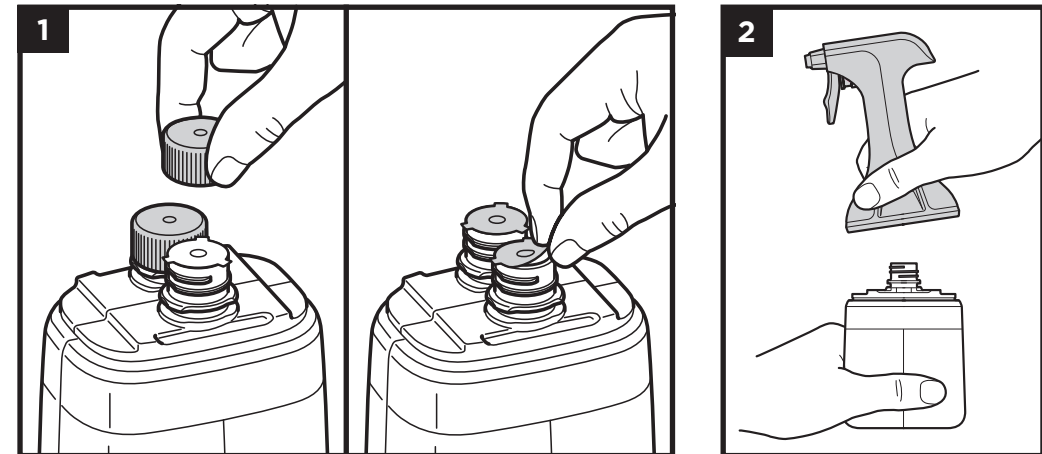
NOTE: Included accessories differ by model. For a list of accessories included with this model, see the top inside flap of the box. To order additional accessories, visit sharkclean.co.uk/shark-parts-accessories/.

- A Squeegee Tool***
A tool designed to clean wet and mixed messes on bare floors. Also effective at removing stubborn embedded pet hair from carpet and upholstery.
- B Crevice Tool***
Great for cleaning fine and small debris from hard-to-reach crevices, corners, and other tight spaces.
- C Stain-Eliminator Tool***
Use with StainForce solution to remove stubborn spots and stains.
- D StainForce Spray Solution***
Spray generously directly onto stains, then use the Stain Tool to scrub.



NOTE: *DISHWASHER SAFE.

SPRAY BOTTLE ASSEMBLY



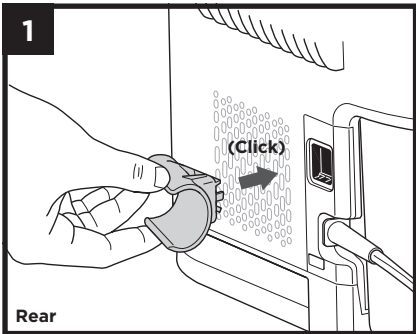
Twist off both caps on the cleaning solution bottle, then peel off the foil seals.

Press the sprayer down over the openings on top of the bottle. Make sure it clicks securely in place.

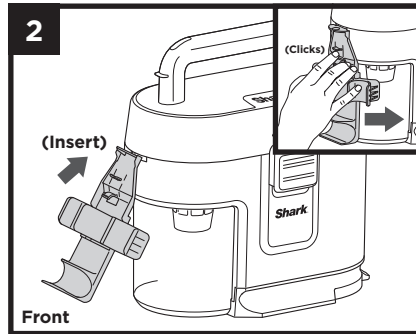


Scan QR code to view
HOW-TO VIDEOS

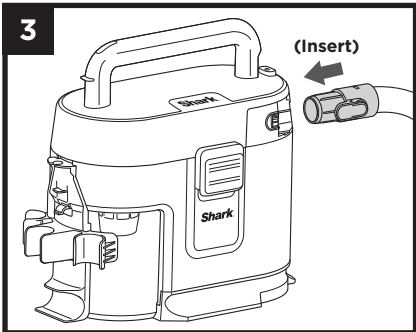
ASSEMBLY



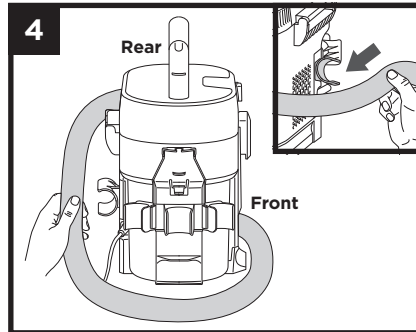
Insert rear hose clip into the back of the main unit, just above the power cable.



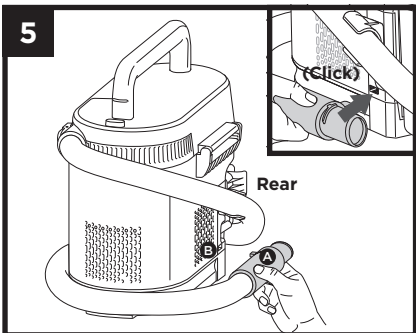
Insert the **Accessory Holder** into the notch on the side of the unit. Press the holder down over the **Dust Cup** until it clicks securely into place.



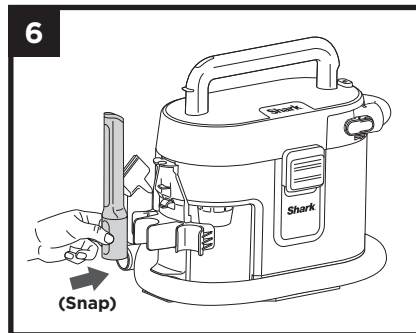
Insert the **Hose Connector** into the opening on the side of the unit until it clicks into place.



Insert the hose into the rear hose clip, then into the accessory holder clip. Wrap the hose around the bottom of the main unit.



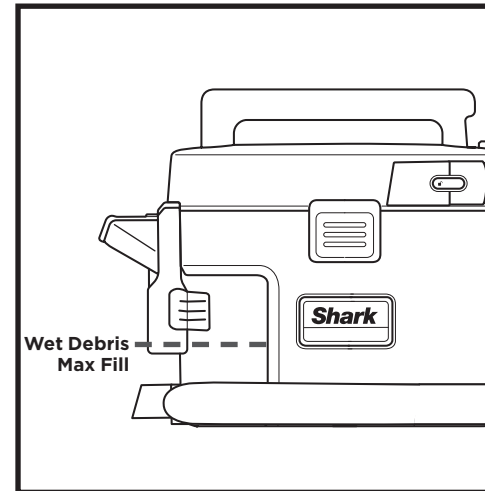
To store the hose on the unit, press the tab **A** on the hose inlet, then inset the tab into the opening **B** near the bottom of the main unit. When connected properly, it will click securely into place.



Insert accessories into the slots in the holder. Store the power cord by wrapping it around the handle.

USING YOUR EVERYMESS

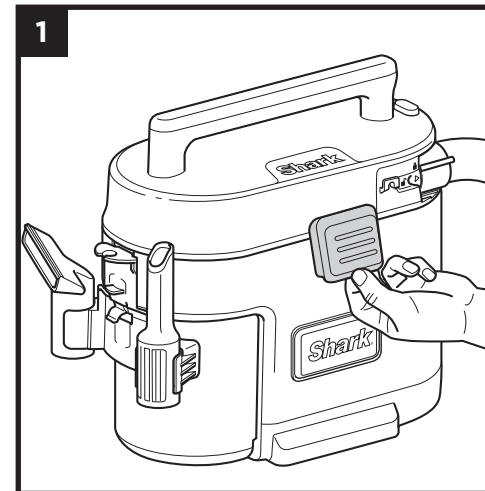
DUST CUP CAPACITY



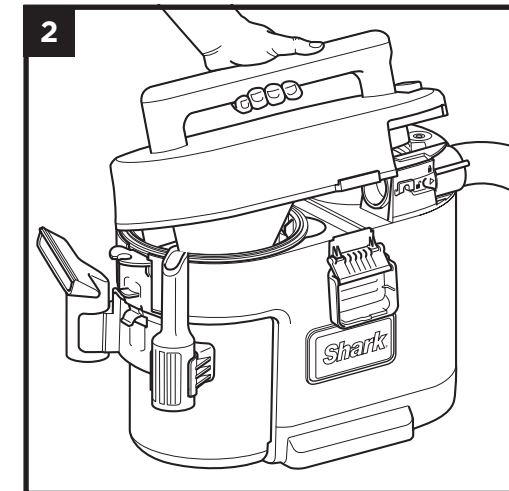
The dust cup has a dry debris capacity of 3.8 L and a wet debris capacity of 1.9 L. When vacuuming wet or sloppy messes, **do not fill the dust cup above the Wet Debris Max Fill** line.

When debris reaches the Max Fill line, the float mechanism in the dust cup will rise automatically to cut off airflow. Suction will cease and motor noise will become higher in pitch. When this happens, turn off the vacuum, unplug the power cord, and empty the dust cup.

OPENING THE LID



Pull out the bottom of the latch to release, then pull the latch down to unhook from the lid.



After unlatching the lid, open it by lifting the handle.

USING YOUR EVERYMESS



IMPORTANT: Unplug the power cord before opening the lid.

ANYBAG TECHNOLOGY

The EveryMess can be used **with or without** a bag.

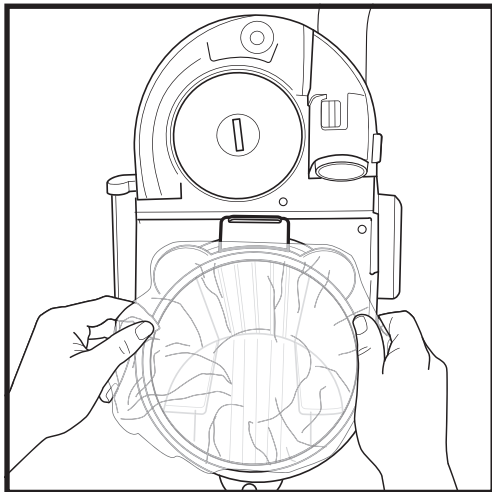
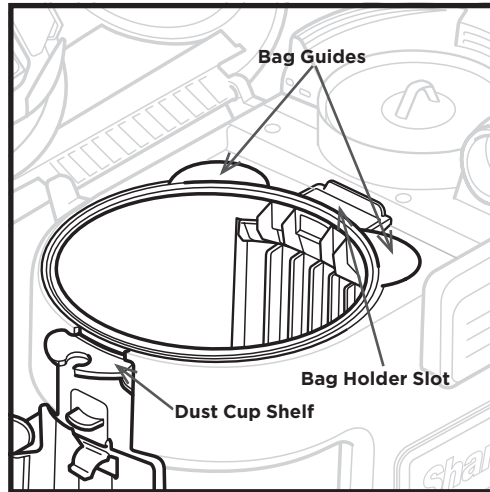
Vacuuming without a bag

You can vacuum straight into the dust cup without a bag. The dust cup is removable and dishwasher safe.

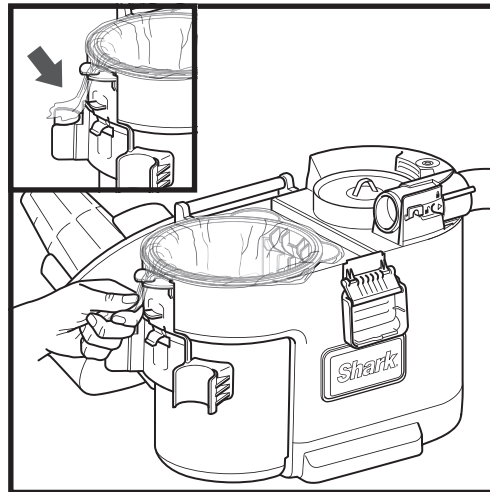
Vacuuming with AnyBag Technology

Line the inside of the dust cup with any plastic trash bag (8L to 50L) for easy disposal of debris.

Note: Carefully inspect the bag for damage or holes. **DO NOT** use a bag with holes. **DO NOT** use a bag when vacuuming sharp or industrial debris.

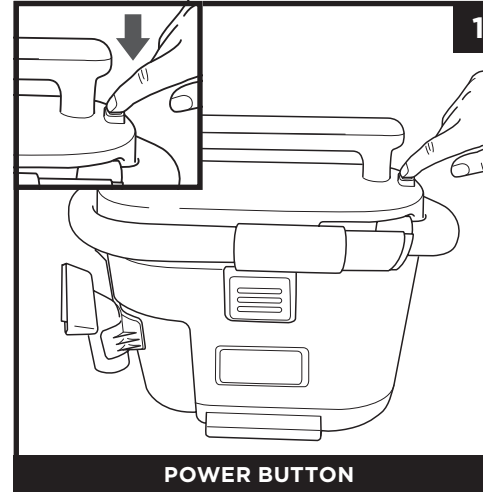


1. Insert an undamaged plastic bag to line the inside of the dust cup. Push the bottom of the bag down to the base of the dust cup.
2. Tuck the top of the bag between the **Bag Guides** and **Dust Cup Shelf**.

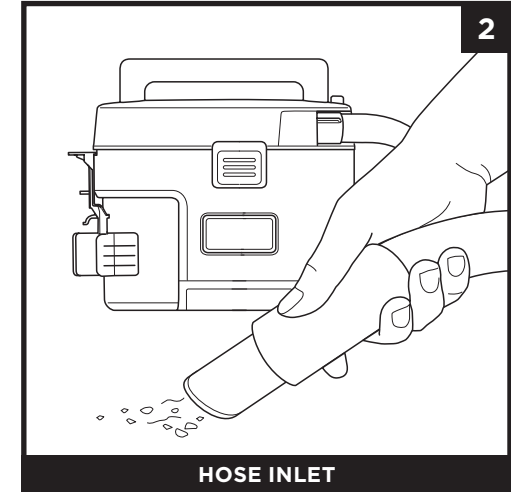


3. Run any excess bag through the **Bag Holder Slot** on the top of the accessory holder.
4. Close the lid to secure the bag in place. The lid should clamp over the excess bag.

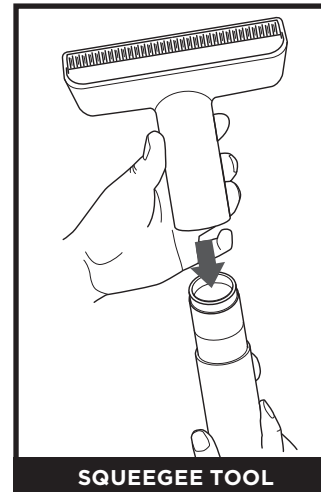
USING YOUR EVERYMESS



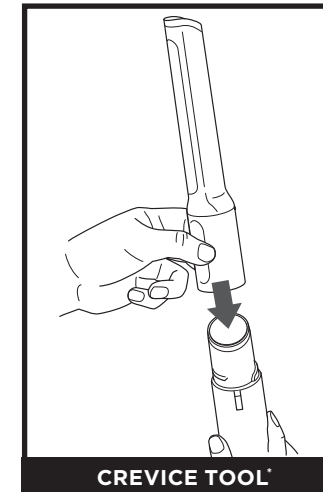
Press the power button to turn on the vacuum.



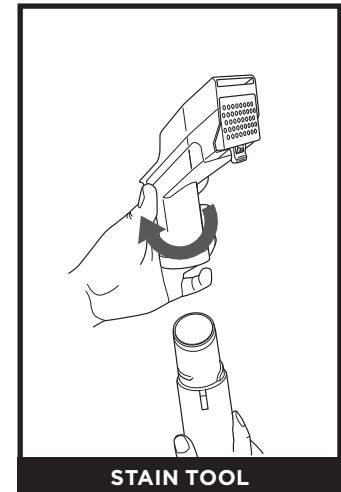
Use the hose inlet to suction up **ANY** mess.



SQUEEGEE TOOL



CREVICE TOOL



STAIN TOOL

Attach a cleaning tool by inserting it into the hose inlet until it clicks into place. (See Available Accessories for more information.)

*Accessory tools may vary by model.

USING YOUR EVERYMESS

DRY VACUUMING



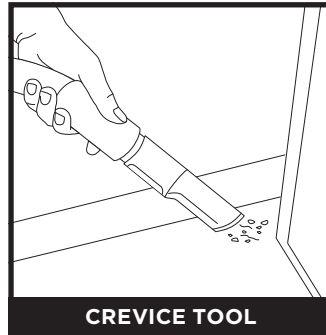
HOSE INLET

Use the hose inlet to vacuum up any mess, wet or dry.



SQUEEGEE TOOL

Use the Squeegee Tool to lift fine dust and debris from hard floors and smooth surfaces.



CREVICE TOOL

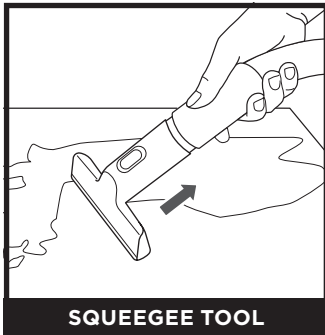
Use the Crevice Tool to clean in tight spaces, crevices, and other hard-to-reach areas.

WET VACUUMING



HOSE INLET

Use the hose inlet to vacuum up any mess, wet or dry.



SQUEEGEE TOOL

The squeegee tool's wide cleaning path is ideal for removing liquid messes.

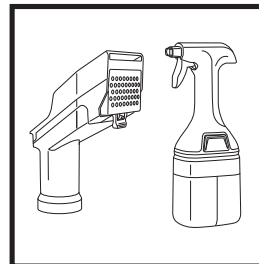
STAIN CLEANING TIPS

REMEMBER to vacuum any debris with another attachment first. The stain tool's inlet is designed to maximize suction power for stains.

Always follow the Stain Cleaning Guide on the next page. Always use Stain Tool with StainForce bottle only.

IMPORTANT:

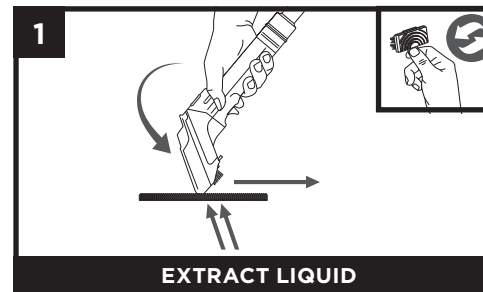
Use StainForce chemical only on soft surfaces such as carpets, rugs, and upholstery. **DO NOT** use on hard surfaces (wood, tile, laminate, etc.), as this may cause damage.



STAIN CLEANING

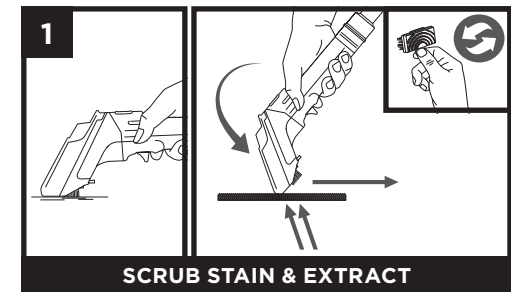
PRE-TREAT

WET STAIN CLEANING

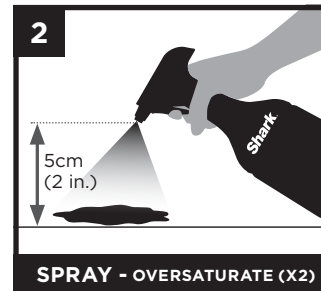


First, suction up the liquid spill to prevent spreading the stain.

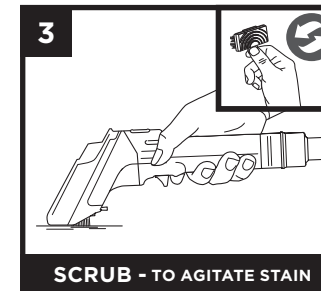
DRY STAIN CLEANING



Scrub stain back and forth using bristles or fins, then, turn on unit, tilt handle, and drag backwards to extract dry debris.



Spray cleaning solution to over-saturate, 5 cm from the stain. Let soak for a few minutes and spray again. Apply at least 2 layers of solution.



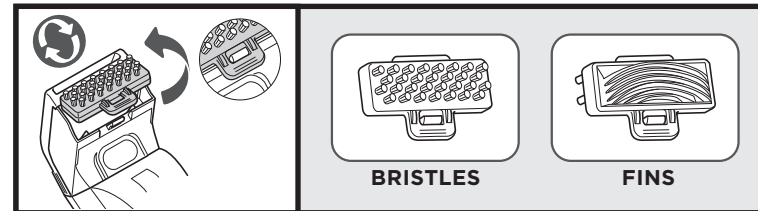
Scrub the stain with the bristles again with a back-and-forth motion.



For best suction be sure to tilt up (as shown) and apply pressure. Slowly pull backwards to extract the solution. **Pull back only.**

LET DRY, THEN REPEAT STEPS 2 TO 4 UNTIL THE STAIN FULLY FADES.

REVERSIBLE BRISTLES AND FINS



The Stain Tool has both bristles and hair-gripping fins. To use the fins, lift off the bristles, turn them over, then reinstall, with the fins on top.

TIPS:

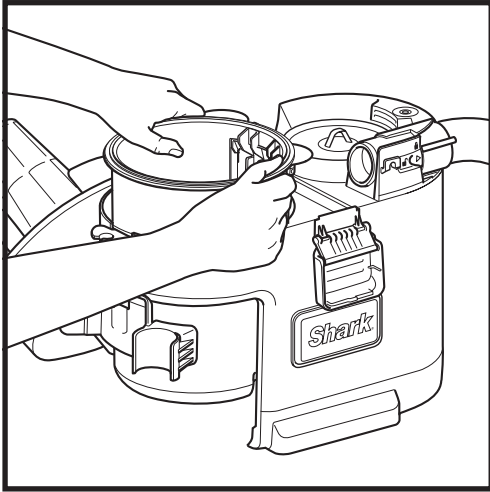
- Use bristles for deep cleaning and to agitate stains.
- Use the Hair-Gripping Fins to remove hair from delicate or hairy surfaces and to prevent tangling.

MAINTENANCE

EMPTYING THE DUST CUP*



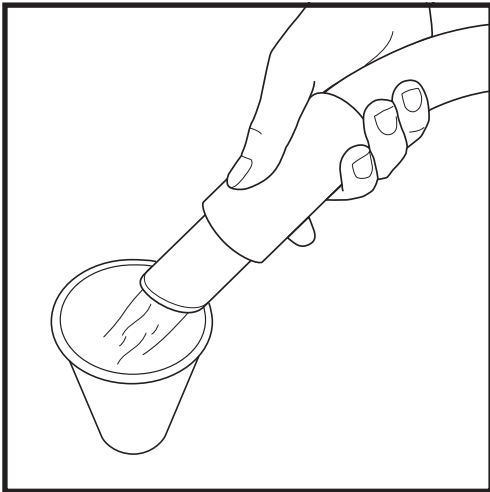
IMPORTANT: Unplug the power cord before opening the lid.



Always empty the dust cup after vacuuming.

1. Open the lid, then lift out the dust cup by the sides. **DO NOT** grab the dust cup by the bag guides.
2. Dump debris into the trash and rinse out the dust cup with warm water.
3. Allow the dust cup to air-dry completely before reinstalling it back into the unit.

RINSE & READY: AUTOMATICALLY RINSING THE HOSE, LID, AND DUST CUP



Run a Rinse & Ready cleaning cycle after picking up any **wet** or **organic mess**.

1. Empty the dust cup. If using AnyBag Technology, remove the bag and dispose of it.
2. Vacuum up 300 mL of water from a cup, bowl, or other container.
3. Unplug the unit and open the lid. If any stubborn debris remains, follow the instructions in the Cleaning the Lid and Debris Screen section.

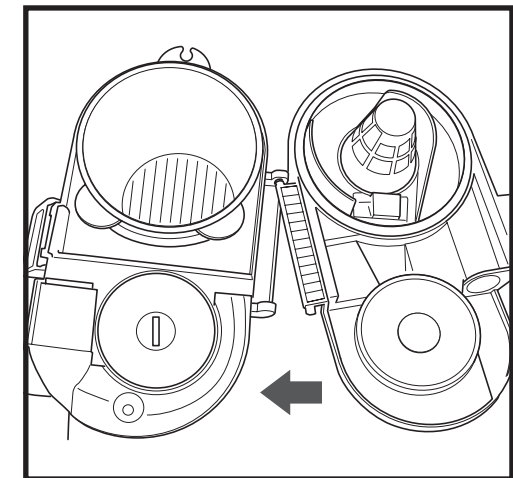
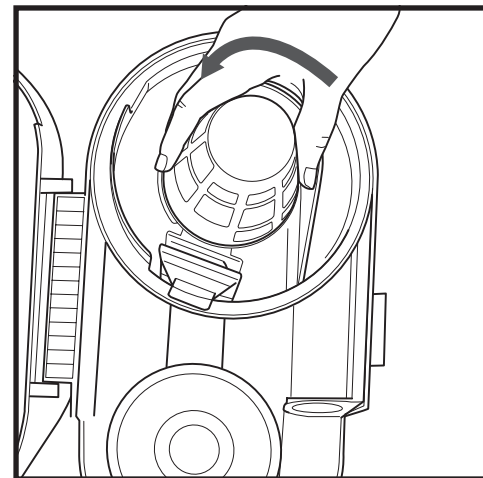
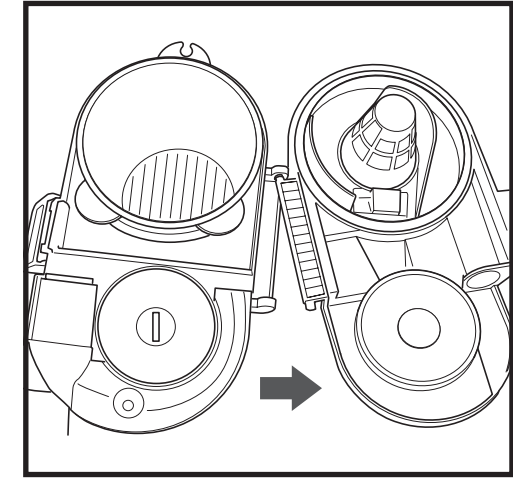
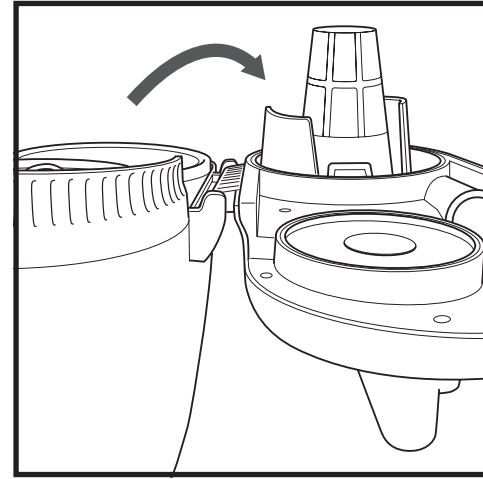
MAINTENANCE

RINSING THE LID AND DEBRIS SCREEN



IMPORTANT: Unplug the power cord before opening the lid.

Rinse the lid and debris screen after picking up any **wet** or **organic mess**.

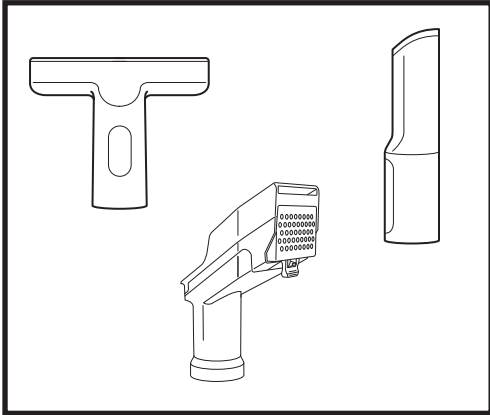


1. Open the lid to a 180-degree angle then pull out to detach it from the hinges.
2. Twist the debris screen counterclockwise and pull it out.
3. Rinse the lid and debris screen in the sink with warm water. Allow the lid and debris screen to air-dry completely before reinstalling.

4. To reinstall the debris screen, align the arrow in the lid with the arrow on the side of the debris screen and twist clockwise to the lock symbol to secure.
5. To reattach the lid, align the hinge connection points at 180 degrees and push until it snaps into place.

MAINTENANCE

CLEANING THE ACCESSORIES



The Squeegee Tool*, Crevice Tool*, and Stain Tool should be cleaned after picking up any wet and organic mess.

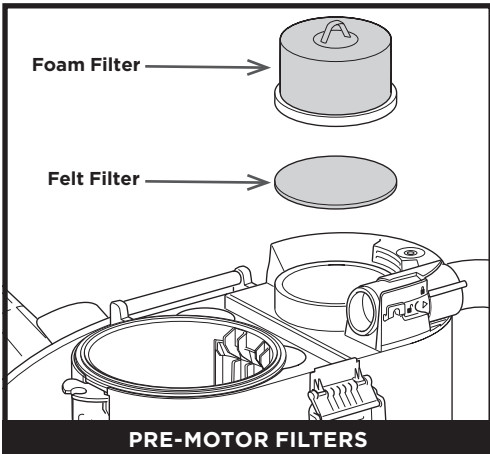
1. Wash the accessories in the sink with warm, soapy water.
2. Allow accessories to air-dry completely.

NOTE: *DISHWASHER SAFE. STAIN TOOL IS NOT DISHWASHER SAFE.

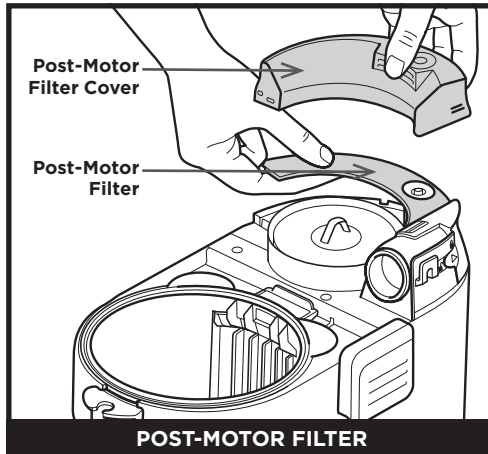
NOTE: Included accessories differ by model. For a list of accessories included with this model, see the top inside flap of the box. To order additional accessories, visit sharkaccessories.com.

CLEANING THE FILTERS

Regularly rinse and replace the filters to maintain your vacuum's suction power. The pre- and post-motor filters should be cleaned **once a month** and replaced **once a year** for optimal performance.



1. Lift out the foam filter by the handle, then pull out the felt filter.
2. Rinse both filters with cold water **ONLY**. **DO NOT** use soap. Allow both filters to air-dry completely before reinstalling.
3. Reinsert the felt filter first, followed by the foam filter.

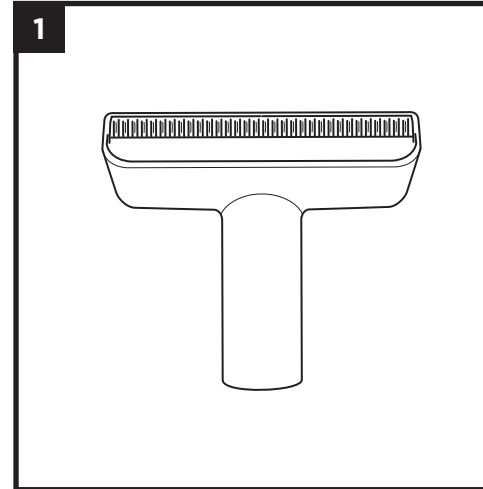


1. Pull up on the post-motor filter cover to remove it, then lift out the post-motor filter.
2. Wash the filter gently with cold water **ONLY**. **DO NOT** use soap. Leave the filter out to air-dry completely before reinstalling it.
3. Reinsert the post-motor filter back into the opening, then place the cover over it and press down until it clicks into place.

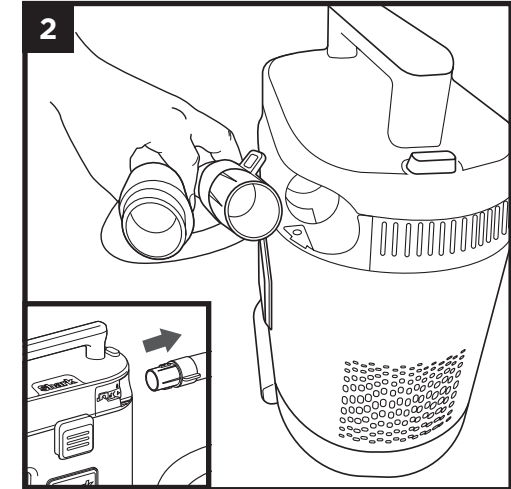
IMPORTANT: DO NOT use soap when cleaning the filters.

MAINTENANCE

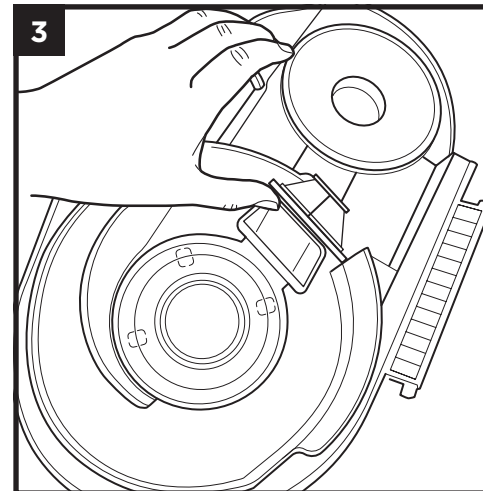
CHECKING FOR BLOCKAGES



Remove any attached accessories and check the inlet for blockages.



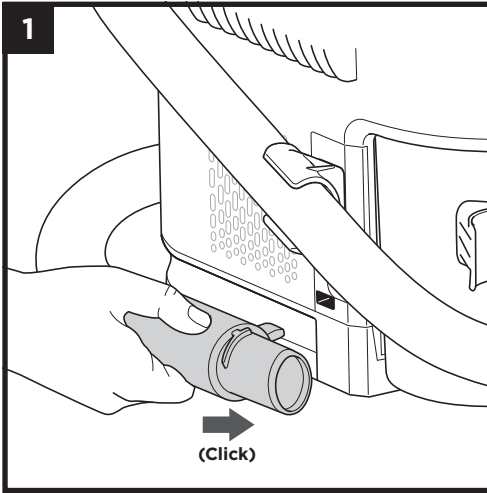
Check the hose and opening in the unit for blockages.



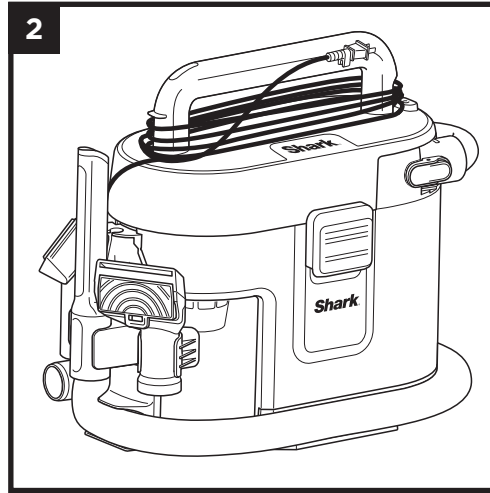
Remove the debris screen and check for any blockages inside the openings in the lid. Wash the debris screen if needed.

STORAGE

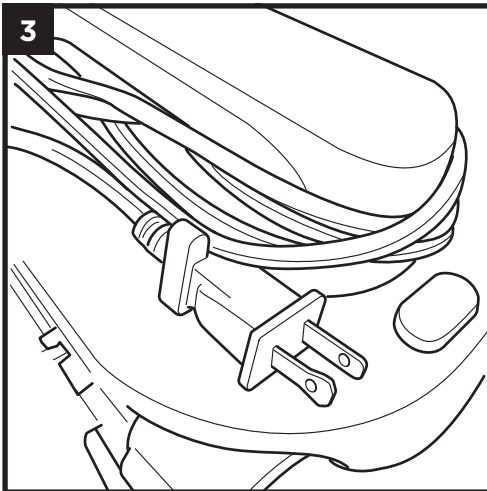
Before storing the EveryMess, empty the dust cup. Clean the unit and allow all parts to air-dry completely. Always store the EveryMess indoors.



Wrap the hose around the unit and clip it in place. (See Assembly section.)



Neatly wrap the power cord around the handle.



Use the cord clip on the plug to hold the wrapped cord securely in place.

TROUBLESHOOTING

⚠ WARNING: To reduce the risk of shock and unintended operation, turn off power before servicing.

ISSUE	WHAT IT MEANS	WHAT TO DO
Vacuum will not operate.	1. No power supply.	1. Check power cord, breakers, fuses.
	2. Faulty power cord.	2. Unplug and check the power cord. If damaged, call Customer Service +44 (0)800 862 0453.
Fine dust comes out from the motor exhaust.	1. The pre- or post-motor filters are missing or need maintenance.	1. Follow the instructions in the Cleaning the Filters section.
No suction or low suction.	1. There are blockages in the accessory, hose, hose port, debris screen, or lid openings.	1. Unplug and check accessories, hose, hose port, debris screen, and lid openings for blockages.
	2. The pre- and post-motor filters need maintenance.	2. Follow the instructions in the Cleaning the Filters section.
	3. Dust cup is full.	3. Empty the dust cup.
	4. The bag was not inserted correctly.	4. Carefully follow the instructions in the AnyBag Technology section.
Motor noise.	1. Dust cup filled beyond Max Fill line and float valve has been activated.	1. Empty the dust cup.
	2. The pre- and post-motor filters need maintenance.	2. Take out the filters and clean with cold water only or install new filters.
Wet debris leaking.	1. Dust cup filled beyond Wet Debris Max Fill line.	1. Follow the instructions in the Maintenance section. Once complete, plug in and turn on the vacuum. Allow it to run for 2 minutes to dry out.
Vacuum is emitting air that smells bad.	1. The unit needs to be cleaned.	2. Follow the instructions in the Maintenance section.
Vacuum turns off while vacuuming.	1. Motor has overheated.	1. Shut the vacuum off, unplug, and let it sit for 60 minutes.

For all other issues, please call Customer Service 0800 862 0453 or support.sharkclean.co.uk

THREE (3) YEAR LIMITED WARRANTY

THE SHARK GUARANTEE

When a consumer buys a product in the UK, they get the benefit of legal rights relating to the quality of the product (your "legal rights"). You can enforce your legal rights against your retailer, including Shark if you bought your Shark appliance from sharkclean.co.uk. However, at Shark we are so confident about the quality of our products that we give the owner an additional, free parts and labour manufacturer's guarantee of up to 3 years.

A household appliance like a Shark floorcare appliance constitutes a sizeable investment. Your new machine needs to work properly for as long as possible. The guarantee it comes with is an important consideration - and reflects how much confidence the manufacturer has in its product and manufacturing quality.

The manufacturer's guarantee does not affect your legal rights.

How long are new Shark machines guaranteed for?

Our manufacturer's guarantee lasts for one year from the date of purchase as standard, or for three years if you register your purchase with us within 28 days. There is information on how to register below.

How do I register my Shark guarantee?

If you have purchased your Shark appliance directly from sharkclean.co.uk your guarantee is registered automatically. If you bought it from anywhere else, you can register your guarantee online within 28 days of purchase.

- To register online, please visit www.sharkclean.co.uk/register-guarantee or scan the QR code in your instruction manual.
- Keep a note of the date you purchased the machine.

IMPORTANT:

- Keep your receipt if you bought your Shark floorcare appliance from anywhere except sharkclean.co.uk. You will need it to claim under your guarantee.
- The free Shark guarantee only applies to Shark owners living permanently in the UK.

What are the benefits of registering my free Shark guarantee?

When you register your guarantee, you will get an extra two years of cover. We'll also have your details to hand if we ever need to get in touch. If you further agree to receive communications from us, you can also receive tips and advice on how to get the best out of your Shark floorcare appliance and hear the latest news about new Shark technology and launches.

What is covered by the free Shark guarantee?

Repair or replacement (at Shark's option) of your Shark machine, including all parts and labour.

What is not covered by the free Shark guarantee?

- Normal wear and tear.
- Accidental damage or faults caused by negligent use or care, misuse, neglect, careless operation or handling of the Shark appliance which is not in accordance with the Shark Operating Manual supplied with your machine.
- Damage caused by use of the Shark appliance for anything other than normal domestic household purposes.
- Damage caused by use of parts not assembled or installed in accordance with the operating instructions.
- Damage caused by use of parts and accessories which are not Shark Genuine Components
- Faulty installation (except where installed by Shark).
- Repairs or alterations carried out by parties other than Shark or its agents.

How can I claim under the free Shark guarantee?

Contact our customer service helpline on 0800 862 0453. For service hours please visit our website under 'Contact Us'. It's free to call, and you'll be put straight through to a Shark representative. You'll also find online support at <https://support.sharkclean.co.uk/>. The Shark representative will go through some troubleshooting with you, and if we conclude that the item has failed, we will send you a replacement part or a returns label to send the defective item back to us free of charge. When you have delivered the defective product to us, we will send you a replacement.

Please remember that the item will need to be boxed when you return it to us, which can be any suitable box; it does not have to be the original packaging.

Where can I buy genuine Shark spares and accessories?

Shark spares and accessories are developed by the same engineers who developed your Shark floorcare appliance. You'll find a full range of Shark spares, replacement parts and accessories for all Shark machines at www.sharkclean.co.uk. Please remember that damage caused by the use of non-Shark spares may not be covered under your guarantee.

REGISTER YOUR PURCHASE



sharkclean.co.uk/register-guarantee



Scan QR code using mobile device.



Scan here or visit qr.sharkninja.com/vx110uk for more information.



RECORD THIS INFORMATION

Model Number: _____

Serial Number: _____

Date of Purchase: _____
(Keep receipt)

Store of Purchase: _____

TECHNICAL SPECIFICATIONS

Voltage: 220-240V, 50-60Hz

Watts: 780W

The power consumption in Off mode: 0.0W

Benefits of registering your product and creating an account:

- Get easier, faster product support and access to warranty information.
- Access troubleshooting and product care instructions.
- Be among the first to know about exclusive product promotions.

TIP: You can find the model and serial numbers on the QR code label on the bottom of the back of the vacuum pod.

SHARK is a registered trademark in the United Kingdom of SharkNinja Operating LLC.

**SharkNinja Europe Limited,
1st/2nd Floor Building 3150,
Thorpe Park, Century Way,
Leeds, England, LS15 8ZB
+44 (0)800 862 0453
www.sharkclean.co.uk**

**SharkNinja Germany GmbH,
Rotfeder-Ring 9,
60327 Frankfurt am Main,
Germany
www.sharkclean.eu**

